

(19) World Intellectual Property
Organization
International Bureau



(43) International Publication Date
13 November 2003 (13.11.2003)

PCT

(10) International Publication Number
WO 2003/092507 A3

(51) International Patent Classification⁷: **A61B 17/02,**
17/16, 17/17

(21) International Application Number:
PCT/US2003/014170

(22) International Filing Date: 6 May 2003 (06.05.2003)

(25) Filing Language: English

(26) Publication Language: English

(30) Priority Data:
60/378,568 6 May 2002 (06.05.2002) US

(71) Applicant (for all designated States except US): **SDGI HOLDINGS, INC.** [US/US]; Suite 508, 300 Delaware Avenue, Wilmington, DE 19801 (US).

(72) Inventors; and

(75) Inventors/Applicants (for US only): **BERTAGNOLI, Rudolf** [DE/DE]; Uay 2A, 94315 Straubing (DE). **FRIESEM, Tai** [IL/GB]; 20 Thath Lane, Ingleby Barwick, TS17 0TN (GB). **LEHUEC, Jean-Charles** [FR/FR]; 31, rue des Lavandiers, F-33600 Pessac (FR).

MATHEWS, Hallett, H. [US/US]; 8700 Berwickshire Drive, Richmond, VA 23229 (US). **EISERMANN, Lukas** [DE/US]; 42 Riverview Dr. W. 301, Memphis, TN 38103 (US). **LIU, Mingyan** [FR/FR]; 74, avenue du Petit Chambord, F-92340 Bourg-la-Reine (FR). **JOSSE, Loic** [FR/FR]; 13, La Plana, F-11570 Palaja (FR). **ZHANG, Jeffrey** [CN/US]; 1386 River Pine Drive, Collierville, TN 38017 (US).

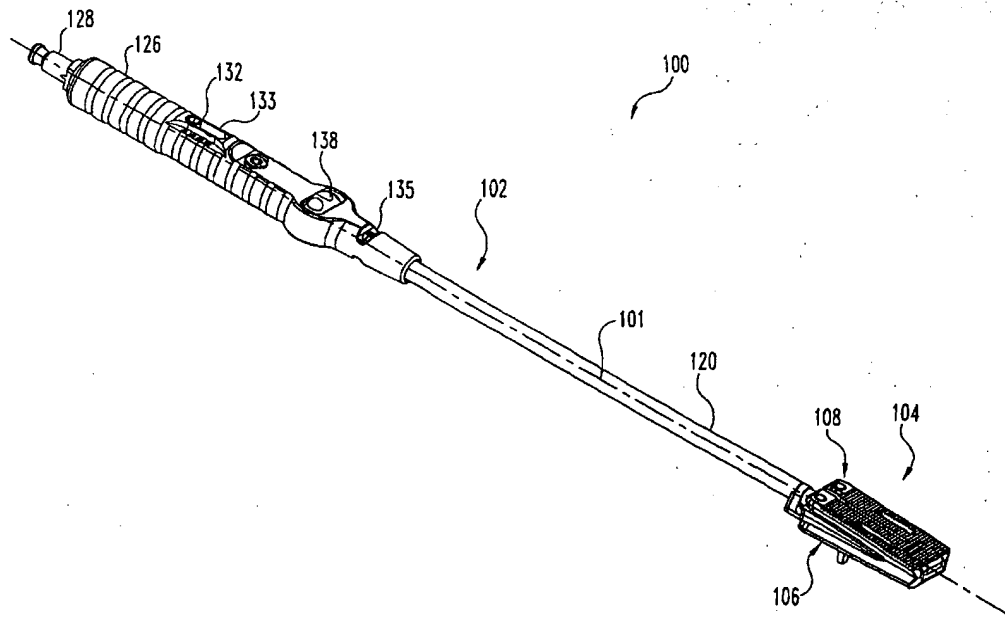
(74) Agents: **COLLIER, Douglas, A.** et al.; Woodard, Emhardt, Moriarty, McNett & Henry LLP, Bank One Center/Tower, Suite 3700, 111 Monument Circle, Indianapolis, IN 46204 (US).

(81) Designated States (national): AE, AG, AL, AM, AT, AU, AZ, BA, BB, BG, BR, BY, BZ, CA, CH, CN, CO, CR, CU, CZ, DE, DK, DM, DZ, EC, EE, ES, FI, GB, GD, GE, GH, GM, HR, HU, ID, IL, IN, IS, JP, KE, KG, KP, KR, KZ, LC, LK, LR, LS, LT, LU, LV, MA, MD, MG, MK, MN, MW, MX, MZ, NI, NO, NZ, OM, PH, PL, PT, RO, RU, SC, SD, SE, SG, SK, SL, TJ, TM, TN, TR, TT, TZ, UA, UG, US, UZ, VC, VN, YU, ZA, ZM, ZW.

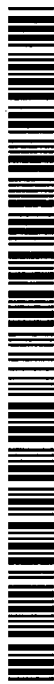
(84) Designated States (regional): ARIPO patent (GH, GM, KE, LS, MW, MZ, SD, SL, SZ, TZ, UG, ZM, ZW), Eurasian patent (AM, AZ, BY, KG, KZ, MD, RU, TJ, TM),

[Continued on next page]

(54) Title: INSTRUMENTATION AND METHODS FOR PREPARATION OF AN INTERVERTEBRAL SPACE



(57) Abstract: An instrument (100) for separating adjacent vertebrae includes a handle assembly (102) and a distal portion (104) at a distal end of the handle assembly. The distal portion includes first and second members (106, 108) movable from an unexpanded configuration for insertion in the disc space toward an expanded configuration to separate the vertebrae. A cutting member of a cutting instrument (300, 400, 500) can be guided by the instrument to prepare the vertebrae for engagement with an implant.



WO 2003/092507 A3



European patent (AT, BE, BG, CH, CY, CZ, DE, DK, EE, ES, FI, FR, GB, GR, HU, IE, IT, LU, MC, NL, PT, RO, SE, SI, SK, TR), OAPI patent (BF, BJ, CF, CG, CI, CM, GA, GN, GQ, GW, ML, MR, NE, SN, TD, TG).

(88) Date of publication of the international search report:
6 May 2004

Published:

- with international search report
- before the expiration of the time limit for amending the claims and to be republished in the event of receipt of amendments

For two-letter codes and other abbreviations, refer to the "Guidance Notes on Codes and Abbreviations" appearing at the beginning of each regular issue of the PCT Gazette.

INTERNATIONAL SEARCH REPORT

International Application No
PCT/US 03/14170

A. CLASSIFICATION OF SUBJECT MATTER
IPC 7 A61B17/02 A61B17/16 A61B17/17

According to International Patent Classification (IPC) or to both national classification and IPC

B. FIELDS SEARCHED

Minimum documentation searched (classification system followed by classification symbols)
IPC 7 A61B A61F

Documentation searched other than minimum documentation to the extent that such documents are included in the fields searched

Electronic data base consulted during the international search (name of data base and, where practical, search terms used)

EPO-Internal

C. DOCUMENTS CONSIDERED TO BE RELEVANT

Category *	Citation of document, with indication, where appropriate, of the relevant passages	Relevant to claim No.
X	EP 0 681 811 A (UNITED STATES SURGICAL CORP) 15 November 1995 (1995-11-15)	1-3, 6-14,21, 34,35, 67-75
Y	column 12, line 57 -column 14, line 42 figures 19-23	55-62
X	DE 295 20 928 U (WOLF GMBH RICHARD) 9 May 1996 (1996-05-09) page 4, line 7 -page 5, line 20 claim 1	1,2,6-8, 26,67-70
X	EP 1 153 582 A (DEPUY ACROMED INC) 14 November 2001 (2001-11-14)	1,26,27, 67,70
A	column 1, line 56 -column 2, line 41	9-13,20
	-/--	

Further documents are listed in the continuation of box C.

Patent family members are listed in annex.

* Special categories of cited documents:

- *A* document defining the general state of the art which is not considered to be of particular relevance
- *E* earlier document but published on or after the international filing date
- *L* document which may throw doubts on priority claim(s) or which is cited to establish the publication date of another citation or other special reason (as specified)
- *O* document referring to an oral disclosure, use, exhibition or other means
- *P* document published prior to the international filing date but later than the priority date claimed

- *T* later document published after the international filing date or priority date and not in conflict with the application but cited to understand the principle or theory underlying the invention
- *X* document of particular relevance; the claimed invention cannot be considered novel or cannot be considered to involve an inventive step when the document is taken alone
- *Y* document of particular relevance; the claimed invention cannot be considered to involve an inventive step when the document is combined with one or more other such documents, such combination being obvious to a person skilled in the art.
- *&* document member of the same patent family

Date of the actual completion of the international search

4 March 2004

Date of mailing of the international search report

19 03. 2004

Name and mailing address of the ISA

European Patent Office, P.B. 5818 Patentlaan 2
NL - 2280 HV Rijswijk
Tel. (+31-70) 340-2040, Tx. 31 651 epo nl,
Fax: (+31-70) 340-3016

Authorized officer

Buchmann, G

INTERNATIONAL SEARCH REPORT

International Application No
PCT/US 03/14170

C.(Continuation) DOCUMENTS CONSIDERED TO BE RELEVANT

Category °	Citation of document, with indication, where appropriate, of the relevant passages	Relevant to claim No.
X	EP 0 676 176 A (UNITED STATES SURGICAL CORP ;SLOTMAN GUS J (US); STEIN SHERMAN (US) 11 October 1995 (1995-10-11) column 4, line 34 -column 6, line 9 figures 1-6 ---	1-4, 20, 26, 67, 70
X,P	EP 1 222 903 A (LINK WALDEMAR GMBH CO) 17 July 2002 (2002-07-17)	39-41, 47
A	column 4, line 42 -column 5, line 39 ---	49-54
Y	US 4 697 586 A (GAZALE WILLIAM J) 6 October 1987 (1987-10-06) column 4, line 19 -column 6, line 3 ---	55-62
X	US 5 135 528 A (WINSTON FREDERICK) 4 August 1992 (1992-08-04) figure 2 ---	63
A	DE 200 04 812 U (VIERING JOERG ;KNOP CHRISTIAN (DE)) 28 September 2000 (2000-09-28) the whole document ---	1-62
A	US 2001/031967 A1 (NICHOLSON JAMES E ET AL) 18 October 2001 (2001-10-18) figures 14A, 14B -----	63-66

INTERNATIONAL SEARCH REPORT

International application No.
PCT/US 03/14170

Box I Observations where certain claims were found unsearchable (Continuation of item 1 of first sheet)

This International Search Report has not been established in respect of certain claims under Article 17(2)(a) for the following reasons:

1. Claims Nos.:
because they relate to subject matter not required to be searched by this Authority, namely:

2. Claims Nos.:
because they relate to parts of the International Application that do not comply with the prescribed requirements to such an extent that no meaningful International Search can be carried out, specifically:

3. Claims Nos.:
because they are dependent claims and are not drafted in accordance with the second and third sentences of Rule 6.4(a).

Box II Observations where unity of invention is lacking (Continuation of item 2 of first sheet)

This International Searching Authority found multiple inventions in this international application, as follows:

see additional sheet

1. As all required additional search fees were timely paid by the applicant, this International Search Report covers all searchable claims.

2. As all searchable claims could be searched without effort justifying an additional fee, this Authority did not invite payment of any additional fee.

3. As only some of the required additional search fees were timely paid by the applicant, this International Search Report covers only those claims for which fees were paid, specifically claims Nos.:

4. No required additional search fees were timely paid by the applicant. Consequently, this International Search Report is restricted to the invention first mentioned in the claims; it is covered by claims Nos.:

Remark on Protest

- The additional search fees were accompanied by the applicant's protest.
- No protest accompanied the payment of additional search fees.

FURTHER INFORMATION CONTINUED FROM PCT/ISA/ 210

This International Searching Authority found multiple (groups of) inventions in this international application, as follows:

1. Claims: 1-38, 67-71

An instrument for separating adjacent vertebrae, comprising first and second members being movable with respect to each other; a handle assembly; and an actuating member between the first and second member, being movable between two positions wherein the first and second members include an expanded/unexpanded configuration.

2. Claims: 39-48

An instrument for separating adjacent vertebrae, comprising first and second members being movable with respect to each other; a handle assembly; the handle assembly including a stop member being adjustable in the direction of the longitudinal axis of the handle, for limiting the insertion depth of the first and second members.

3. Claims: 49-54

An instrument for separating adjacent vertebrae, comprising first and second members being movable with respect to each other; a handle assembly; wherein a plurality of second members is provided which can be removably coupled with the first member, and the outer surface of the different second members form different angles with the outer surface of the first member.

4. Claims: 55-62

An instrument for separating adjacent vertebrae, comprising first and second members being movable with respect to each other; a handle assembly; and a cutting instrument movable along the first and/or second member.

5. Claims: 63-66

A cutting instrument for a vertebral body, comprising a handle, a shaft and a central keel blade.

6. Claims: 72-75

An instrument for separating adjacent vertebrae, comprising first and second members having different lateral widths and being movable with respect to each other; a handle assembly; and an actuating member between the first and second member,

FURTHER INFORMATION CONTINUED FROM PCT/ISA/ 210

being movable between two positions wherein the first and second members include an expanded/unexpanded configuration.

INTERNATIONAL SEARCH REPORT

Information on patent family members

International Application No
PCT/US 03/14170

Patent document cited in search report	Publication date	Patent family member(s)	Publication date		
EP 0681811	A	15-11-1995	US 5620458 A	15-04-1997	
			CA 2144212 A1	17-09-1995	
			EP 0681811 A2	15-11-1995	
			US 5755732 A	26-05-1998	

DE 29520928	U	09-05-1996	DE 29520928 U1	09-05-1996	

EP 1153582	A	14-11-2001	US 6478800 B1	12-11-2002	
			US 2002116009 A1	22-08-2002	
			AU 748256 B2	30-05-2002	
			AU 4372501 A	22-11-2001	
			CA 2346216 A1	08-11-2001	
			CA 2413647 A1	07-06-2003	
			EP 1153582 A2	14-11-2001	
			EP 1323396 A2	02-07-2003	
			JP 2002017761 A	22-01-2002	
			JP 2003204969 A	22-07-2003	

EP 0676176	A	11-10-1995	CA 2144211 A1	17-09-1995	
			DE 69513074 D1	09-12-1999	
			DE 69513074 T2	06-04-2000	
			EP 0676176 A1	11-10-1995	
			US 5697889 A	16-12-1997	
			US 5599279 A	04-02-1997	

EP 1222903	A	17-07-2002	EP 1222903 A1	17-07-2002	
			BR 0116743 A	23-12-2003	
			CA 2421153 A1	03-03-2003	
			CZ 20030559 A3	18-06-2003	
			WO 02054994 A1	18-07-2002	

US 4697586	A	06-10-1987	NONE		

US 5135528	A	04-08-1992	NONE		

DE 20004812	U	28-09-2000	DE 20004812 U1	28-09-2000	

US 2001031967	A1	18-10-2001	US 6241733 B1	05-06-2001	
			US 6096080 A	01-08-2000	
			US 6241769 B1	05-06-2001	
			AU 3787999 A	23-11-1999	
			BR 9910250 A	09-01-2001	
			CA 2331717 A1	11-11-1999	
			EP 1076536 A1	21-02-2001	
			JP 2002526127 T	20-08-2002	
			WO 9956676 A1	11-11-1999	
			US 6261293 B1	17-07-2001	
			US 6258094 B1	10-07-2001	
			US 6261295 B1	17-07-2001	
			US 2003233147 A1	18-12-2003	
			US 2002032483 A1	14-03-2002	